



Taylor Pittsburgh Mfg., Inc.
P.O. Box 1866
Athens, TN 37371
423-745-3110

Series 233 FIELD GENERAL

Parts Detail

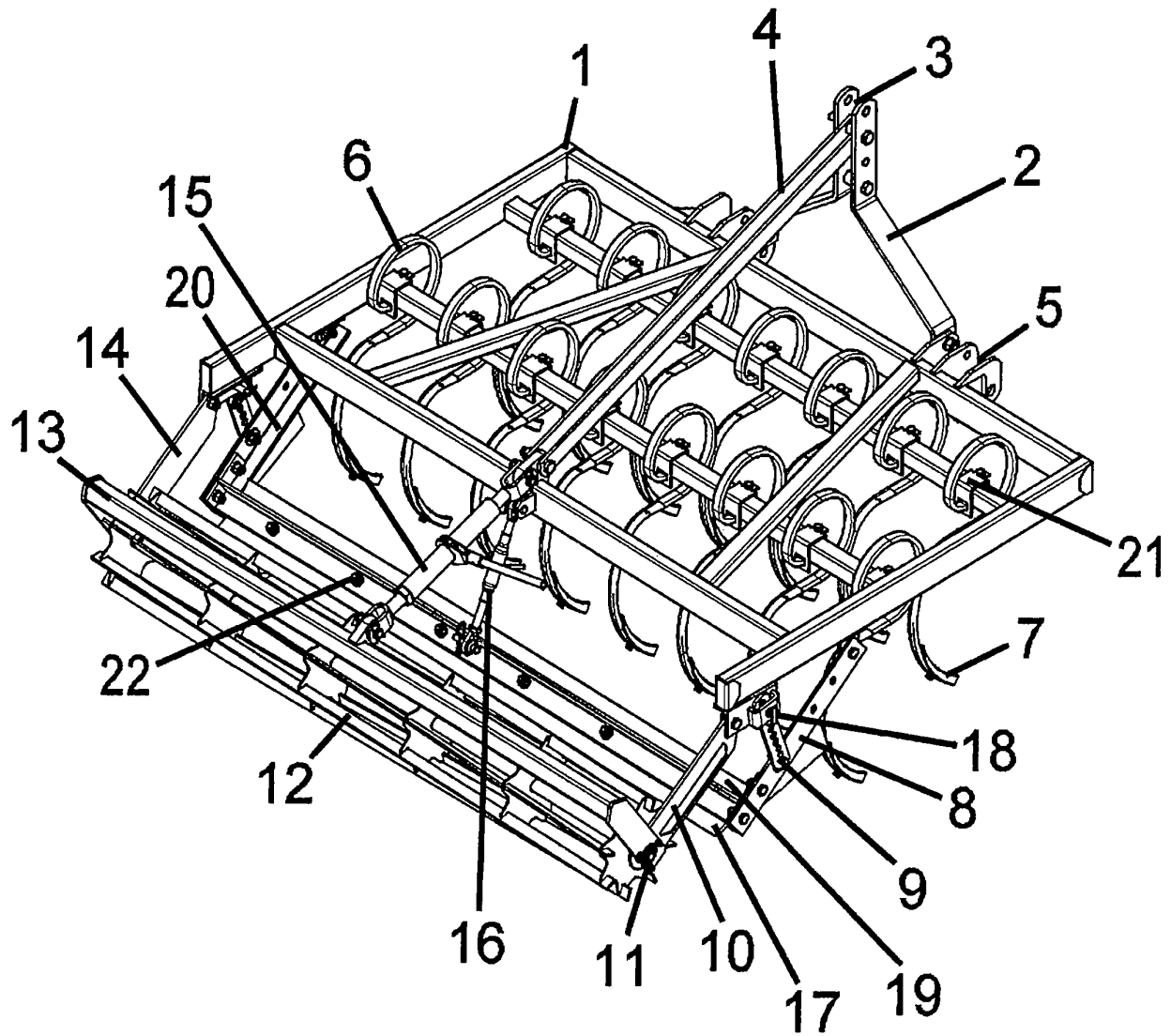
for

**Arena Renovator
FCV Cultivator
One Row Cultivator
3 Pt. Cultipacker
3 Pt. Lawn Plugger
3 Pt. Lawn Aerator
Middle Buster / Subsoiler
Disc Bedder
Dirt Scoop
Bale Spears
Carry All / Boom Pole
Trailer Movers**

OWNER'S MANUAL

January 2012

ARENA RENOVATOR

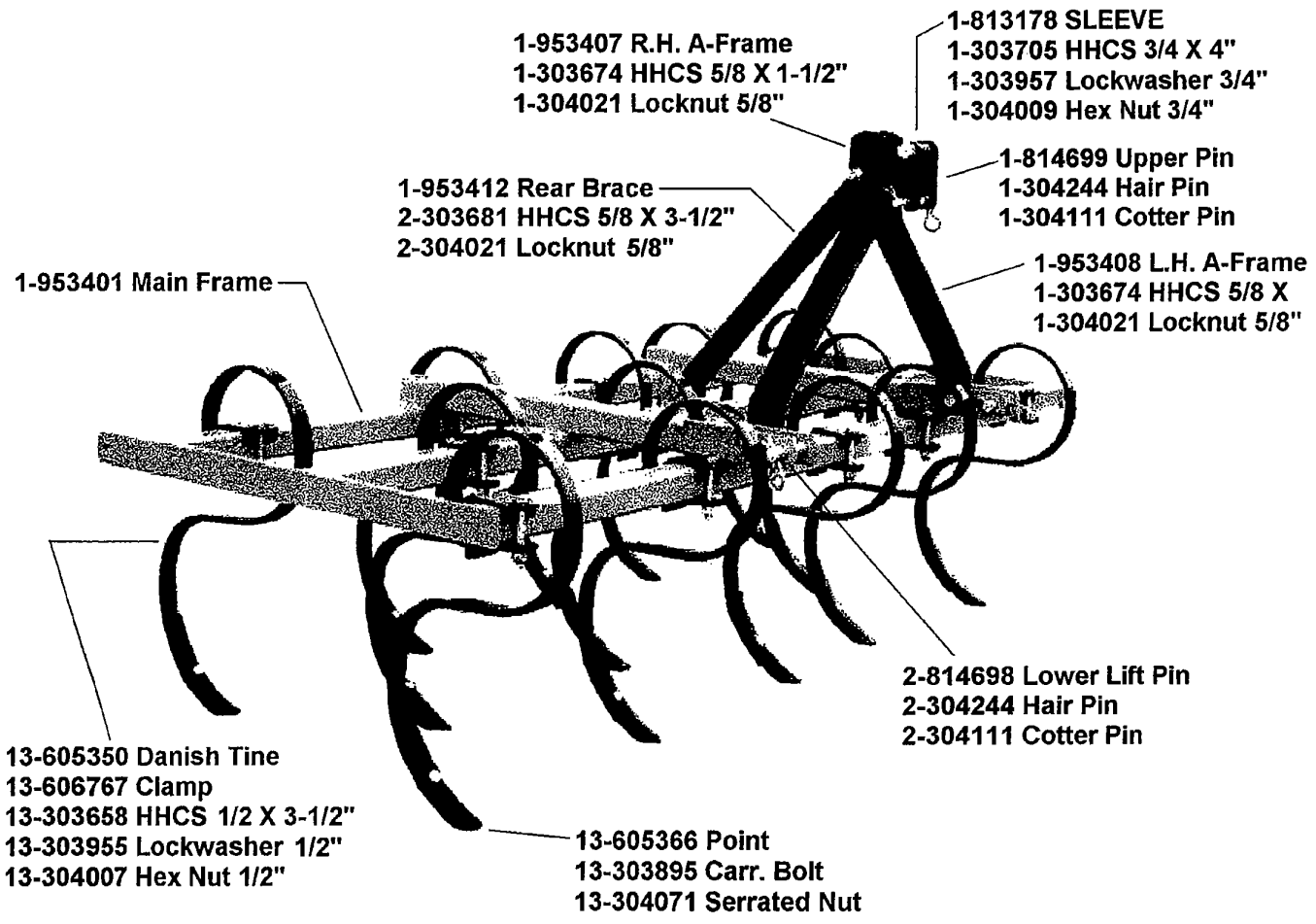


ARENA RENOVATOR PARTS

Item	Part Name	Part Number
1	Frame	401250
2	Lift Arm	360800
3	Lift Arm Spacer Pkg.	502500
4	Lift Arm Brace	360801
5	Straight Lift Pin Cat. 1 to 2 (Pkg. 2)	500003
6	Arena Renovator Tine Pkg.	502501
7	Arena Renovator Tine Point (Pkg 5)	502502
8	Wing Arm Right	401252
9	Blade Adjuster Bar (Pkg. 2)	502505
10	Roller Arm Right	401255
11	Bearing Pkg.(1-Bearing, 2-Flanges, 3-Nuts, Bolts, Washers)	502504
12	Basket Weldment	401257
13	Roller Adjustment Assembly	401256
14	Roller Arm Left	401254
15	Ratchet Jack	195170
16	Top Link Cat. 0	195165
17	Cutting Edge 72"	188025
18	T-Handle Clevis Pin (Pkg 2)	502503
19	Blade Mount	401253
20	Wing Arm Left	401251
21	Danish Tine Mounting Bracket Pkg.	905007
22	Cutting Edge Bolt Set (9pk)	503001



Series 233-FCV CULTIVATOR

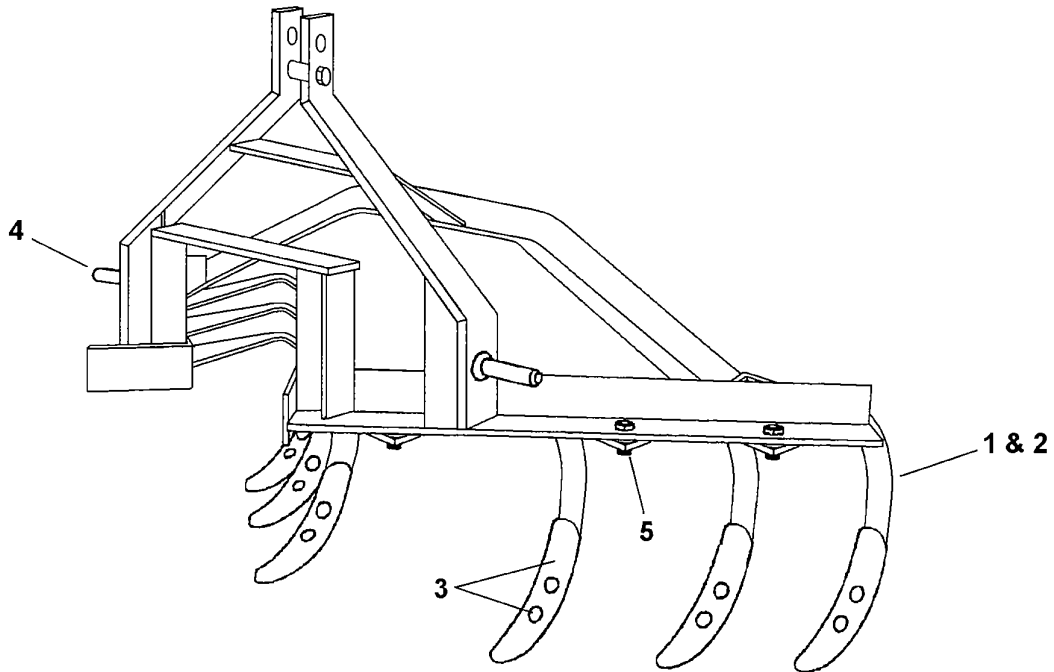




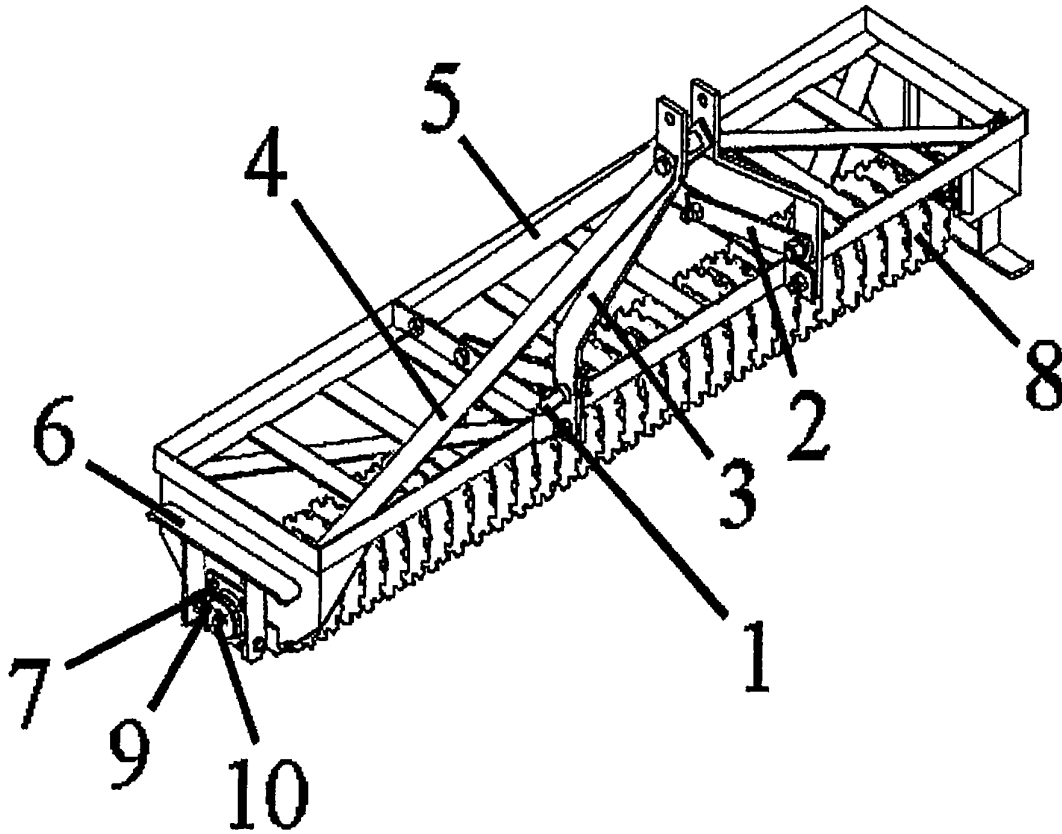
233-CV-G Cultivator Components

Series 233-CV-G Cultivator

Item	Part #	Description	Qty
1	572005	"C" TINES (6-pack)	---
2	571005	"C" TINES (2-pack)	---
3	503003	POINT & BOLT KIT 6-pack	---
4	203266	LINK PIN Cat. I	2
5	303651	HHCS 1/2" X 1-1/2"	6
	303955	LOCKWASHER 1/2"	6
	304007	HEX NUT 1/2"	6

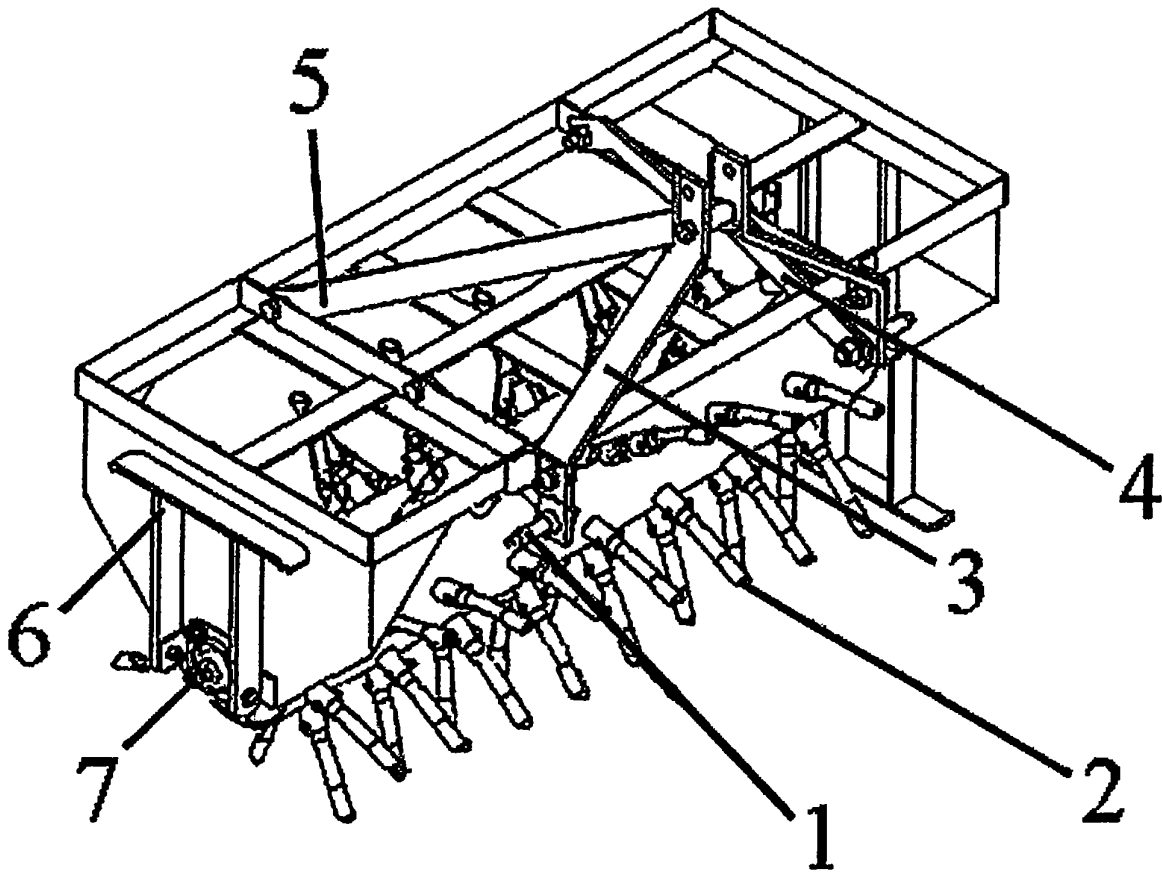


3-POINT KULTIPACKER



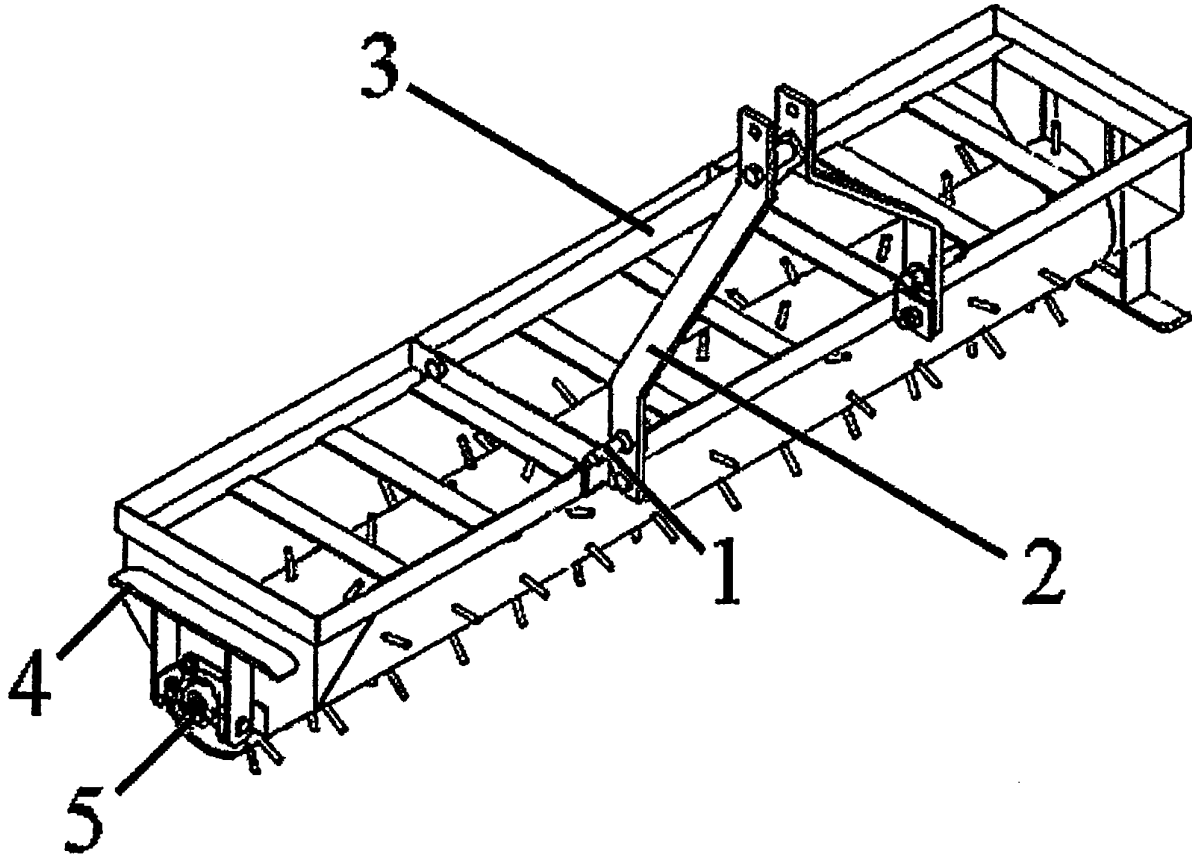
Item	Part Name	Part Number
1	LIFT PIN CAT. 1 (2-PK)	500001
2	BRACE STRAP	360611
3	LIFT ARM	360621
4	SIDE LIFT ARM BRACE	360632
5	LIFT ARM BRACE	360622
6	STAND	401240
7	SEALED BEARING (ABT ST 491A)	171025
8	KULTIPACKER WHEEL	171021
9	AXLE CAP & WHEEL SPACER PKG. (2 EA.)	502700
10	ROLLER AXLE	360633

LAWN PLUGGER



Item	Part Name	Part Number
1	LIFT PINS CAT. 1 (PK. 2)	500001
2	SPOOL PKG. (4 PK)	502805
3	LIFT ARM	360609
4	BRACE STRAP	360611
5	LIFT ARM BRACE	360610
6	STAND	401232
7	BEARING W/COLLAR PKG.	502800

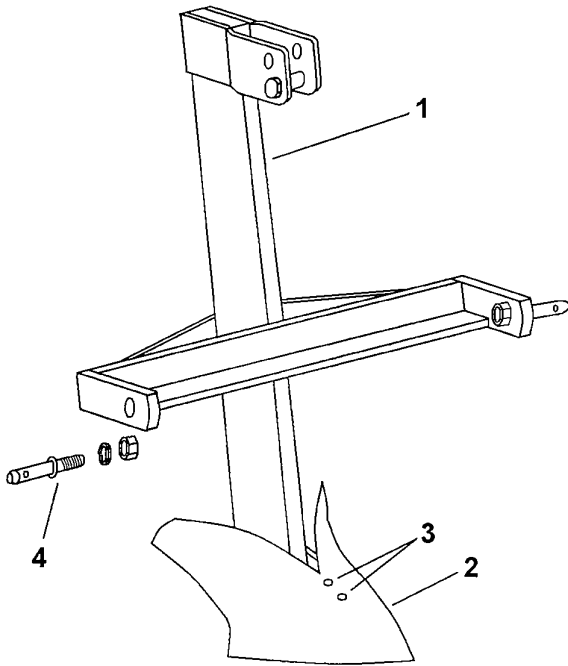
LAWN AERATOR



Item	Part Name	Part Number
1	LIFT PINS CAT. 1 (PK. 2)	500001
2	LIFT ARM	360621
3	LIFT ARM BRACE	360622
4	STAND	401240
5	BEARING W/COLLAR PKG.	502800

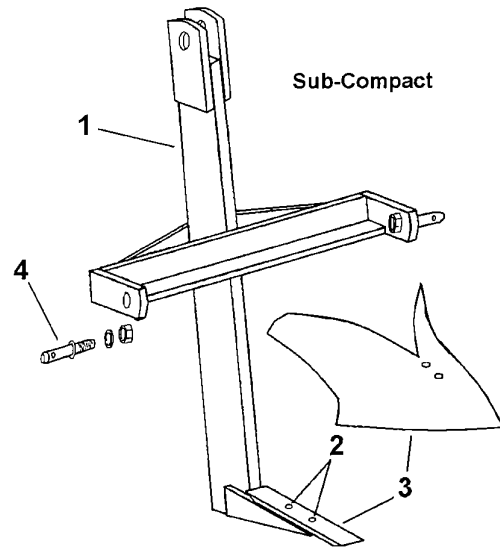


Middle Buster / Subsoiler Components



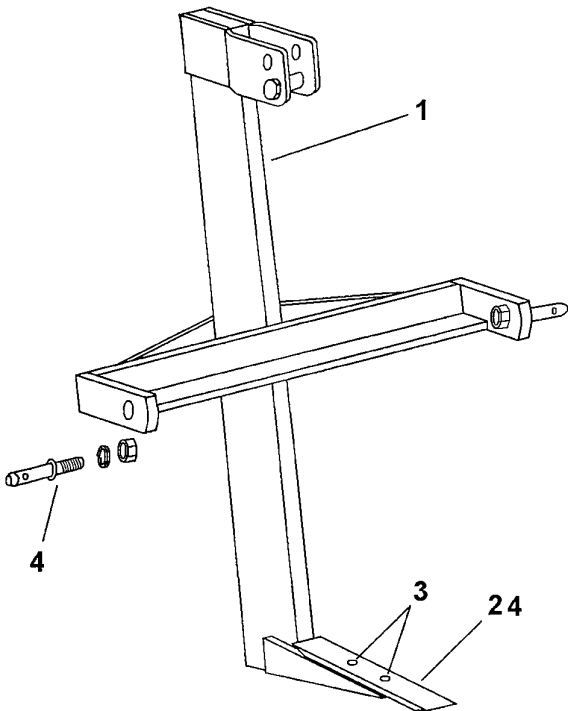
Series 233-MB Middle Buster

Item	Part #	Description	Qty
1	233-MB-G	COMPLETE MIDDLE BUSTER	1
2	503002	BOLT KIT 7/16" X 4" (2pcs)	1
3	177005	FURROWER 14"	1
4	203266	LINK PIN W/NUT Cat. I	2



Series 233 SUB-COMPACT Subsoiler/Middle buster

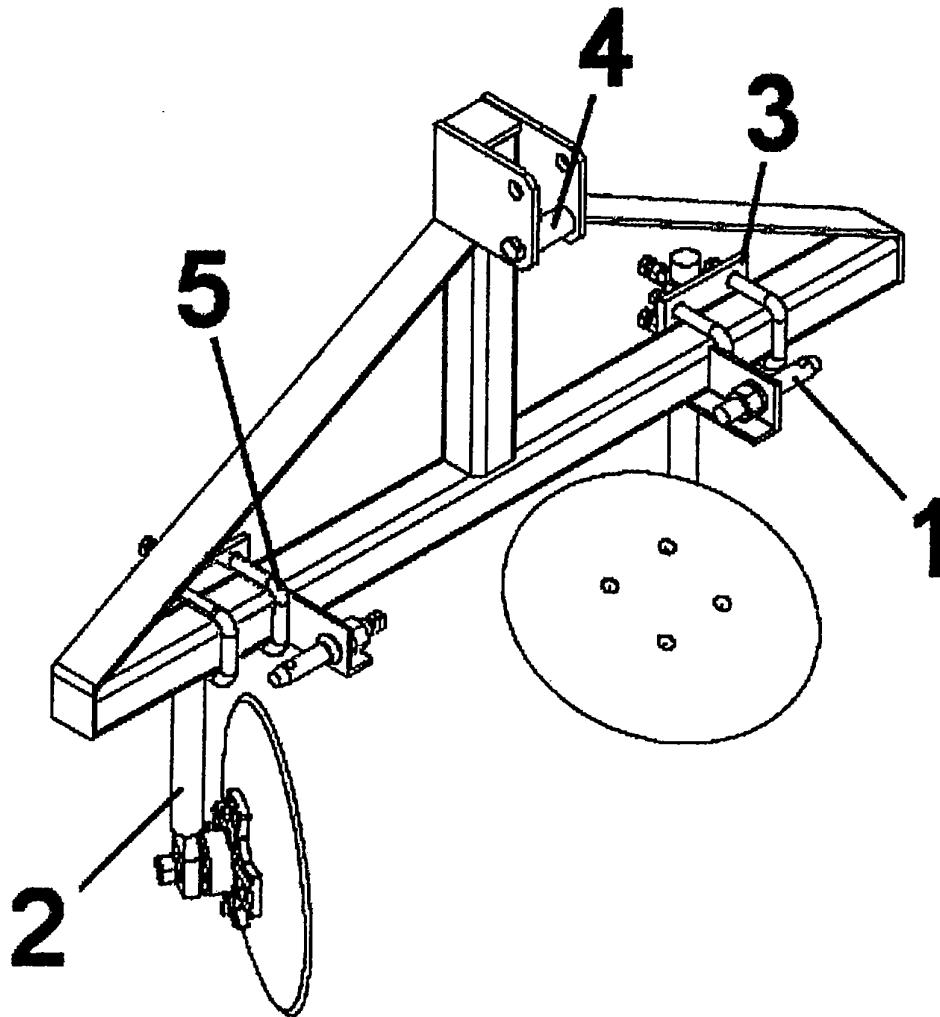
Item	Part #	Description	Qty
1	233-MB-S-SC	COMPLETE MB/Subsoiler	1
2	503002	BOLT KIT 7/16" X 4" (2pcs)	1
3	177008	SUBSOILER POINT	1
	177007	FURROWER - 12"	1
4	203266	LINK PIN W/NUT Cat. I	2



Series 233-SUB Subsoiler

Item	Part #	Description	Qty
1	233-SUB-G	COMPLETE SUBSOILER	1
2	503002	BOLT KIT 7/16" X 4" (2pcs)	1
3	177006	SUBSOILER POINT	1
4	203266	LINK PIN W/NUT Cat. I	2

DISC BEDDER



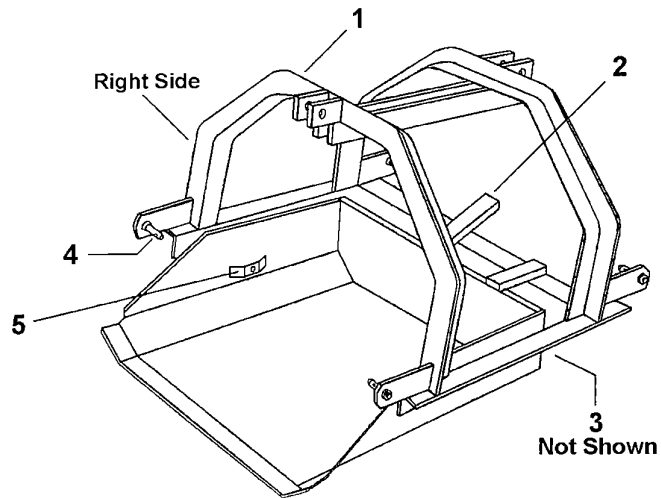
Item	Part Name	Part Number
1	Lift Pin Pkg. CAT. 1	500001
2	Disc & Shank Assembly	191250
3	Shank Holder Plate w/ Locking Bolts	507010
4	Spacer Pkg.	507011
5	U-Bolt Pkg. (Pkg of 4)	507012



DIRT SCOOP COMPONENTS
SERIES: 233-DS-24-SC Sub-Compact
233-DS-24 STANDARD
233-DS-30 STANDARD

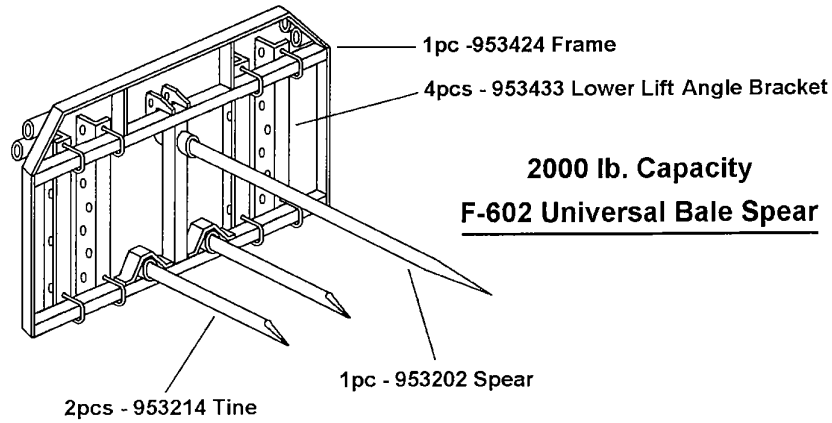
Sub-Compact 24"
&
Standard Duty 24" & 30"
Series 233-DS Reversible Scoop

Item	Part #	Description	Qty
1	233-DS-24-SC Subcompact Scoop 24"		
	233-DS-24 COMPLETE 24" SCOOP		
	233-DS-30 COMPLETE 30" SCOOP		
2	325035	FRAME LATCH HANDLE	1
3	953249	LATCH ROLLER ASSY	1
4	203266	LINK PIN Cat. I	2
5	505003	HINGE PIN	2

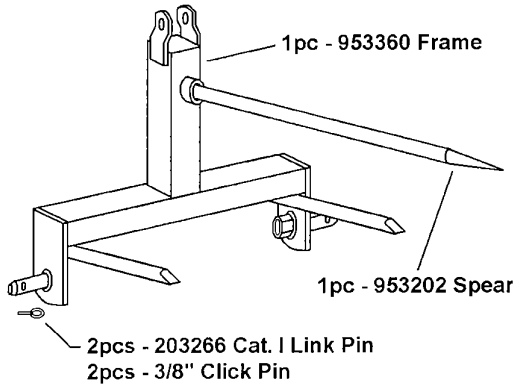




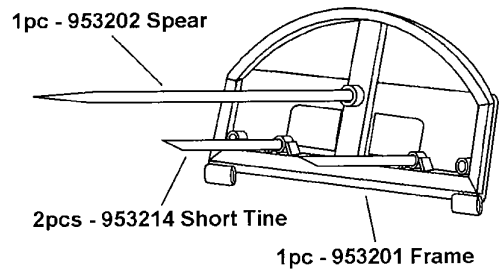
SERIES 233 BALE MOVER COMPONENTS



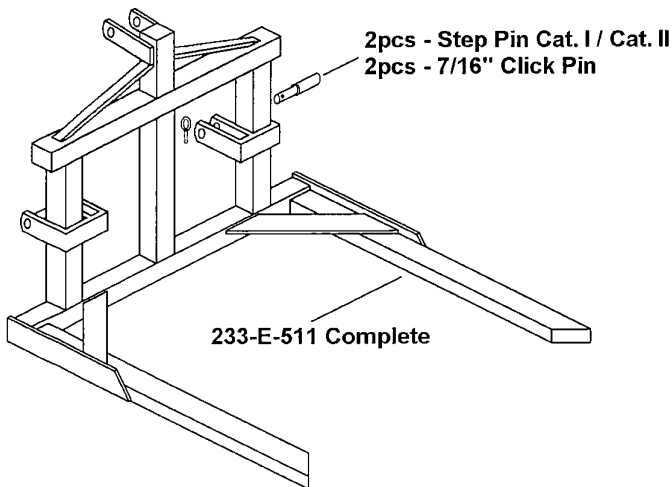
2000 lb. Capacity
RS-300 3-Point Cat. I Bale Mover



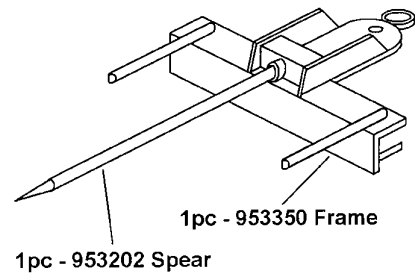
2000 lb. Capacity
SSS-Z Skid Steer Spear



2000 lb. Capacity
E-511 Cat. 1 & 2 Bale Mover

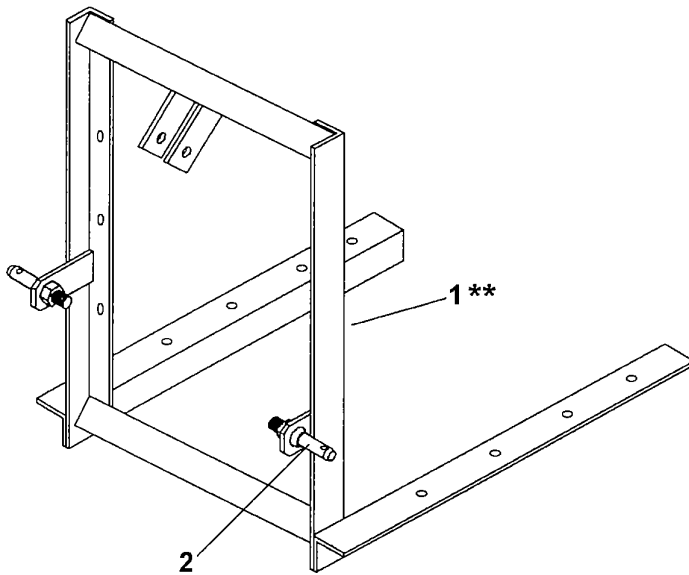


2000 lb. Capacity
BS-325 Bucket Spike





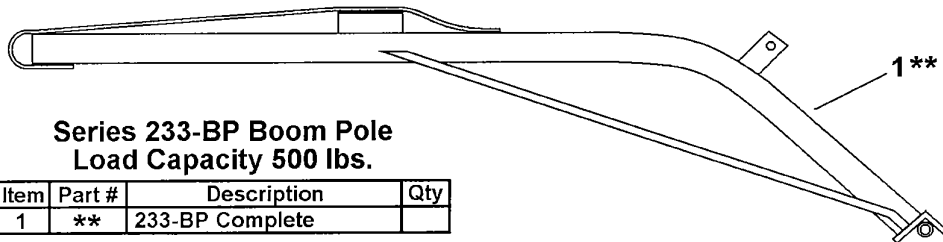
BOOM POLE, CARRY-ALL & PALLET MOVER COMPONENTS



**Series 233-CA Carry All
Load Capacity 1000 lbs.**

Item	Part #	Description	Qty
1	**	233-CA Complete	
2	203266	LINK PIN Cat. I	2

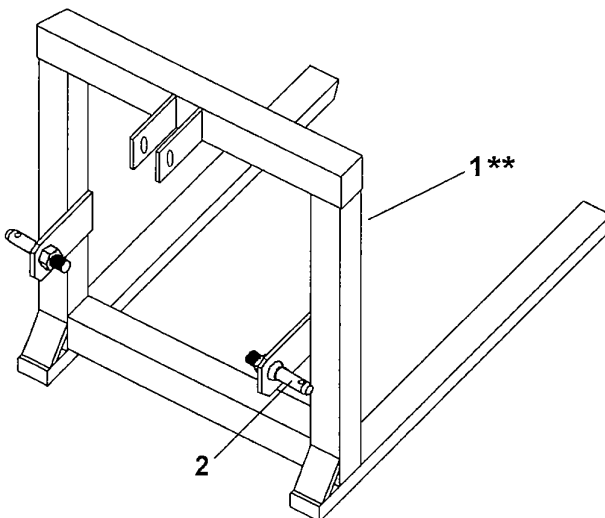
** Sold as a Complete Unit



**Series 233-BP Boom Pole
Load Capacity 500 lbs.**

Item	Part #	Description	Qty
1	**	233-BP Complete	

** Sold as a Complete Unit

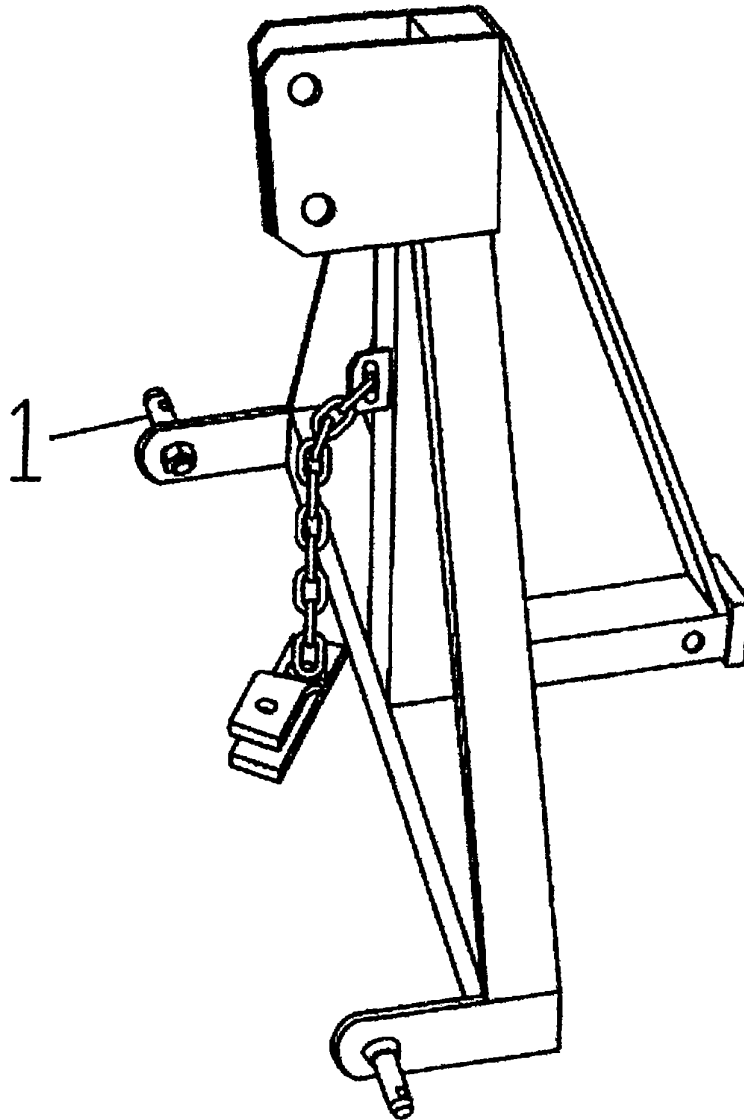


**Series 233-PM Pallet Mover
Load Capacity 2000 lbs.**

Item	Part #	Description	Qty
1	**	233-PM-15 Complete	
2	203266	LINK PIN Cat. I	2

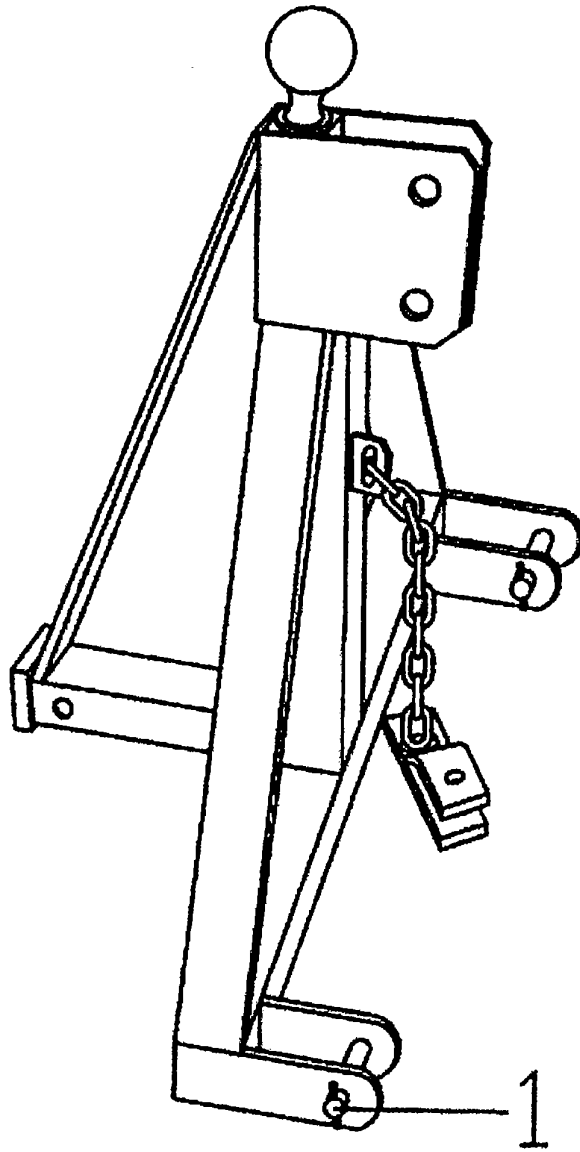
** Sold as a Complete Unit

TRAILER MOVER TM



Ref. No.	Part Name	Part Number
1	Lift Pins Cat 1	500001

TRAILER MOVER TM-GN



Item	Part Name	Part Number
1	Straight Lift Pins Cat 1	500007

