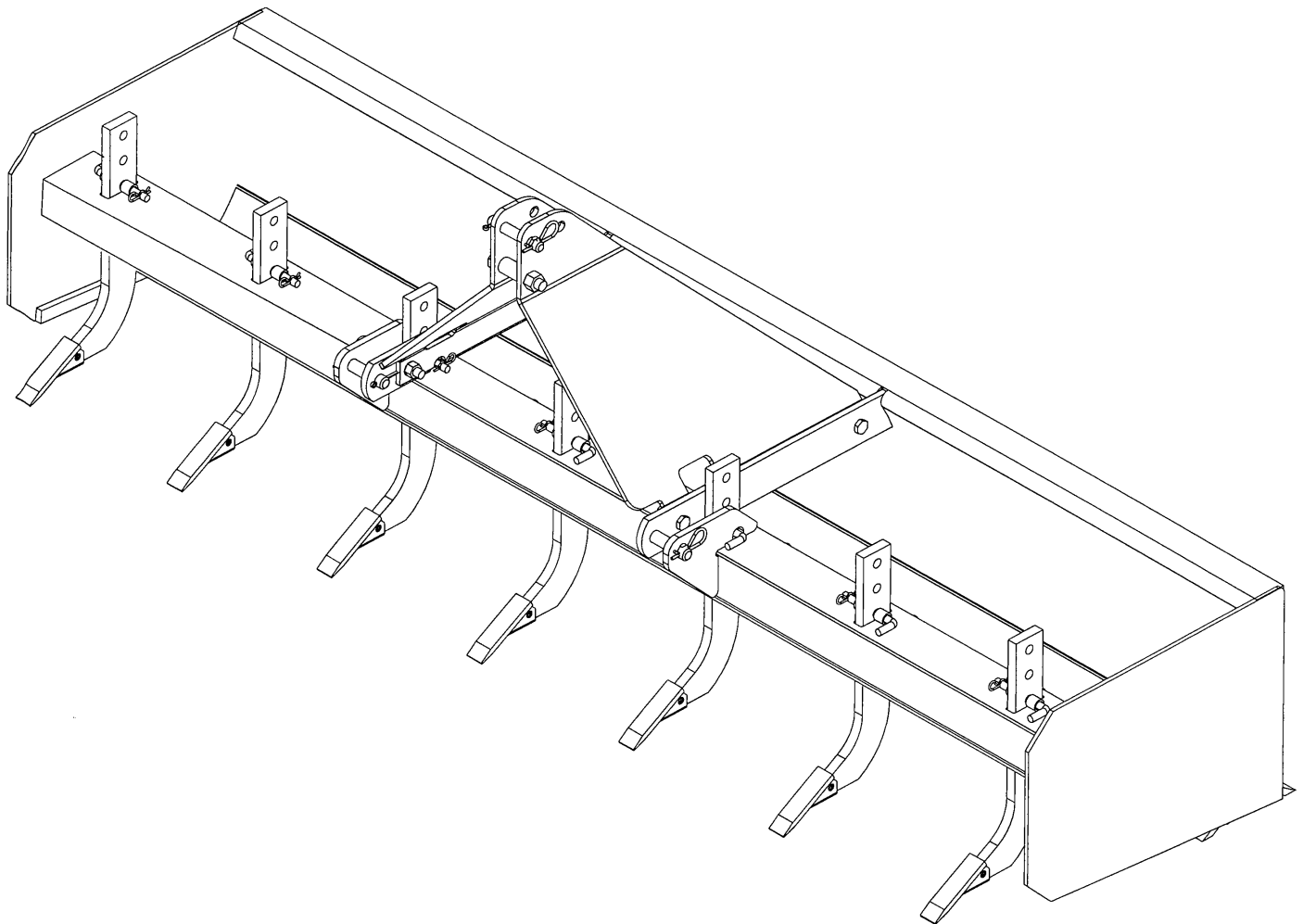




TAYLOR PITTSBURGH MFG., INC.  
P.O. BOX 1866  
ATHENS, TN 37371  
423-745-3110

# 4500 SERIES

# BOX BLADES



## OWNER'S MANUAL

Form Number 45000002  
December 2002

**TO THE DEALER:**

The box blade assembly and proper installation to the tractor is the responsibility of the TAYLOR PITTSBURGH dealer. Read manual instructions and safety rules. Make sure all items on the Pre-delivery and Delivery Check Lists are completed before releasing equipment to the owner.

**TO THE OWNER:**

Read this manual before operating your TAYLOR PITTSBURGH box blade. The information presented will prepare you to do a better and safer job. Keep this manual handy for ready reference. Require all operators to read this manual carefully and become acquainted with all the adjustment and operating procedures before attempting to operate. Replacement manuals can be obtained from your dealer or by calling 1-423-745-3110, in the USA and Canada only.

The box blade you have purchased has been carefully engineered and manufactured to provide dependable and satisfactory use. Like all mechanical products, it will require cleaning and upkeep. Lubricate the unit as specified. Observe all safety information in this manual and safety decals on the box blade and tractor.

For service, your authorized TAYLOR PITTSBURGH dealer has trained mechanics, genuine TAYLOR PITTSBURGH service parts, and the necessary tools and equipment to handle all your needs.

Provide this information to your dealer to obtain correct repair parts.

## LIMITED WARRANTY

TAYLOR PITTSBURGH MFG., INC., the manufacturer, warrants only to the Original Purchaser that this equipment, under normal use and service, will be free from defects in material and workmanship for one (1) year from date of purchase providing this equipment is purchased for individual and not for commercial use. Warranty for commercial usage is 90 days. This warranty does not apply to any equipment which has been damaged or which has been subjected to abuse, misuse, negligence, abnormal wear and tear, alterations, tampering, or failure to follow operating instructions. This warranty does not cover any product or parts not manufactured by Taylor Pittsburgh Manufacturing, Inc..

Under this warranty, the manufacturer will repair or replace any part which the manufacturer determines has failed during the period of the warranty due to defects in material or workmanship. After approval by the manufacturer, the equipment or defective part must be returned to Taylor Pittsburgh Mfg., Inc., Athens, Tennessee 37371.

**PURCHASER'S EXCLUSIVE REMEDY FOR BREACH OF WARRANTY, OTHER DEFECT, OR CONDUCT GIVING RISE TO LIABILITY SHALL BE THE REPAIR OR REPLACEMENT OF THE PRODUCT SOLD, AND THE MANUFACTURER UNDER NO CIRCUMSTANCES SHALL BE LIABLE FOR ECONOMIC LOSS OR INCIDENTAL OR CONSEQUENTIAL DAMAGES. THE MANUFACTURER DISCLAIMS ALL IMPLIED WARRANTIES, INCLUDING THE WARRANTY OF MERCHANTABILITY AND FITNESS FOR PURPOSE.**

Taylor Pittsburgh Mfg., Inc. reserves the right to make improvements and changes in specifications without notice or obligation to modify previously sold units.

This manual describes the proper assembly procedures for your box blade and furnishes operating and maintenance recommendations to help you obtain long and satisfactory service.

# SAFETY RULES



**ATTENTION! BECOME ALERT! YOUR SAFETY IS INVOLVED!**



## SAFETY ALERT SYMBOL


**FIG. 1:** This is the safety alert symbol. It means **ATTENTION: BECOME ALERT! YOUR SAFETY IS INVOLVED!** Look for it, both in this manual and on safety decals on the equipment. It will direct your attention to information that involves your safety and the safety of others.




Figure 1

## SIGNAL WORDS

**FIG. 2:** The words **DANGER**, **WARNING** or **CAUTION** are used with the safety alert symbol. Learn to recognize these safety alerts, and follow the recommended precautions and safe practices.

 **DANGER:** The safety alert symbol, with the word **DANGER**, indicates an imminently hazardous situation that, if not avoided, will cause **DEATH OR VERY SERIOUS INJURY**.

 **WARNING:** The safety alert symbol, with the word **WARNING**, indicates a potentially hazardous situation that, if not avoided, could cause **DEATH OR SERIOUS INJURY**.

 **CAUTION:** The safety alert symbol, with the word **CAUTION**, indicates a potentially hazardous situation that, if not avoided, may cause a **MINOR INJURY**.



Figure 2

Replace any **DANGER**, **WARNING**, **CAUTION** or instructional decal that is not readable or is missing. The location and part number of these decals is identified later in the section of the manual.

**IMPORTANT:** The word **IMPORTANT** is used to identify special instructions or procedures which, if not strictly observed could result in damage to, or destruction of the machine, process or its surroundings.

# GENERAL INFORMATION

## INTRODUCTION

**READ THIS MANUAL** carefully to learn how to properly operate and service your Series 4500 Box Blade correctly. Failure to do so could result in personal injury or equipment damage.

Throughout this manual, references are made to right and left direction. **RIGHT - HAND AND LEFT - HAND** sides are determined by standing behind the box blade facing the direction the box blade will travel when going forward.

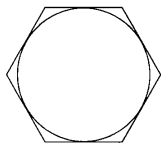
The purpose of this manual is to assist you in operating and maintaining your Series 4500 Box Blade. Read it carefully. It furnishes information and instructions that will help you achieve years of dependable performance. These instructions have been compiled from extensive field experience and engineering data. Some information may be general in nature due to unknown and varying operating conditions.

However, through experience and these instructions, you should be able to develop procedures suitable to your particular situation. Maintain your box blade with original repair parts to insure safety and optimum performance.

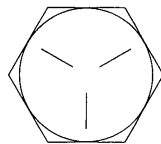
The illustrations and data used in this manual were current at the time of printing, but due to possible production changes, your box blade may vary slightly in detail. We reserve the right to redesign and change the machines as may be necessary without notification.

## BOLT TORQUE CHART

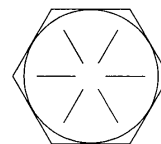
GRADE 2



GRADE 5



GRADE 8



## TORQUE IN FOOT POUNDS (NEWTON METERS)

BOLT SIZE		3/8	1/2	5/8	3/4	7/8	1
HEX HEAD		9/16	3/4	15/16	1-1/8	1-5/16	1-1/2
GRADE	2	18 (24.4)	45 (61.0)	89 (120.7)	160 (216.9)	252 (341.6)	320 (433.9)
	5	30 (40.6)	68 (92.2)	140 (189.8)	240 (325.4)	360 (488.1)	544 (737.5)
	8	40 (54.2)	100 (135.6)	196 (265.7)	340 (460.9)	528 (715.1)	792 (1073.8)

## TABLE OF CONTENTS

WARRANTY .....	1
SAFETY SYMBOLS & SIGNAL WORDS .....	2
GENERAL INFORMATION.....	3
BOLT TORQUE CHART .....	3
SPECIFICATIONS .....	4
SAFETY RULES .....	5 - 6
SAFETY DECALS & LOCATIONS .....	7
OPERATION.....	8
ASSEMBLY.....	8
BEFORE OPERATION .....	8
ATTACHING .....	9
OPERATION.....	9
TRANSPORTING .....	9
MAINTENANCE.....	10
STORAGE .....	10
BOX BLADE COMPONENT PARTS .....	11 - 12

SPECIFICATIONS						
Model	48"	60"	66"	72"	84"	96"
Working Width - in. (mm)	48 (1219.2)	60 (1524)	66(1676.4)	72 (1828.8)	84 (2133.6)	96(2438.4)
End Plate Thickness - in. (mm)	5/16 (7.94)	5/16 (7.94)	5/16 (7.94)	5/16 (7.94)	5/16 (7.94)	5/16 (7.94)
Moldboard Height - in. (mm)	17 (431.8)	17 (431.8)	17 (431.8)	17 (431.8)	17 (431.8)	17 (431.8)
Depth of Bucket - in. (mm)	21-1/4 (540)	21-1/4 (540)	21-1/4 (540)	21-1/4 (540)	21-1/4 (540)	21-1/4 (540)
Overall Height - in. (mm)	35 (889)	35 (889)	35 (889)	35 (889)	35 (889)	35 (889)
Overall Depth - in. (mm)	24 (610)	24 (610)	24 (610)	24 (610)	24 (610)	24 (610)
Cutting Edges (1/2" x 6") (12.7 x 152.4)	2	2	2	2	2	2
Approximate Weight - lbs (kg)	376 (170.5)	454 (205.9)		519 (235.4)	583 (264.4)	
Tractor HP (max)	17 - 50	17 - 50	17 - 50	17 - 50	17 - 50	17 - 50
3 Point Hitch (Cleviss)	Cat I	Cat I	Cat I	Cat I	Cat I	Cat I
Shanks (Replaceable)	4	5	5	6	7	7
Shank Positions	4	4	4	4	4	4

# SAFETY RULES



**ATTENTION! BECOME ALERT! YOUR SAFETY IS INVOLVED!**



Your personal safety is a primary concern in the design and manufacture of our products. Unfortunately, our efforts to provide such equipment can be wiped out by a single careless act of an operator.

In addition to the design and configuration of equipment, hazard control and accident prevention are dependent upon the awareness, concern, prudence and proper training of personnel involved in the operation, transport, maintenance and storage of equipment.

It has been said **“The best safety device is an informed, careful operator.”** We ask you to be that kind of an operator.

The design of this equipment depends on it being operated within the limitations as explained in this manual.

## TRAINING

- **Safety instructions are important! Read this manual and the tractor manual; follow all safety rules and safety decal information.** (Replacement manuals are available from your dealer). Failure to follow instructions or safety rules can result in serious injury or death.
- **If you do not understand any part of this manual and need assistance, see your dealer.**
- **Know your controls and how to stop engine and attachment quickly in an emergency.**
- **The operator must be instructed in and be capable of the proper operation of the equipment, its attachments and all controls. Do not allow anyone to operate this equipment without proper instructions.**
- **Do not allow children or untrained persons to operate equipment.**

## PREPARATION

- **Always wear close fitting clothing and personal protection equipment called for by the job conditions. These items may include a hard hat, safety glasses, goggles or face shield, hearing protection and safety boots. DO NOT wear loose**

**clothing, jewelry or any other items that may be entangled in moving parts. Tie up long hair.**

- **Ensure box blade is properly mounted, adjusted and in good operating condition.**
- **Tighten all bolts and nuts and check that all cotter pins are installed securely to ensure equipment is properly assembled before operating.**
- **Tractor must be equipped with ROPS FRAME or ROPS CAB and seat belt. Keep seat belt securely fastened. Falling off tractor can result in death from being run over or crushed. Keep foldable ROPS systems in “locked up” position at all times.**
- **A minimum 20% of the combined tractor and box blade weight must be on the tractor front wheels with box blade in transport position. Without this weight, tractor could tip over causing personal injury or death. See your tractor operators manual for information regarding adding weights.**
- **Remove accumulated debris from this equipment, tractor and engine to avoid fire hazard.**

- **Ensure all safety decals are installed. Replace if damaged. (See Safety Decals section for location.)**

## OPERATIONAL SAFETY

- **Operate only in daylight or good artificial light.**
- **Always comply with all state and local lighting and marking requirements.**
- **No riders on equipment.**
- **Always sit in tractor seat with seat belt fastened when operating controls or starting engine. Place transmission in park or neutral, engage brake and ensure all other controls are disengaged before starting tractor engine.**
- **Look down and to the rear and make sure area is clear before operating in reverse.**
- **Do not operate on steep slopes**
- **Do not stop, start or change directions suddenly on slopes.**
- **Use extreme care and reduce ground speed on slopes and rough terrain.**
- **Watch for hidden hazards on the terrain during operation.**

*(Safety Rules continued on next page)*

# SAFETY RULES



**ATTENTION! BECOME ALERT! YOUR SAFETY IS INVOLVED!**



*(Safety Rules continued from previous page)*

- Stop tractor and implement immediately upon striking an obstruction. Turn off engine, remove key, inspect and repair any damage before resuming operation.
- When performing any service or maintenance disengage power to implement. Lower all raised components to the ground. Operate valve levers to release any hydraulic pressure. Stop engine, set parking brake and remove key before dismantling tractor.
- Keep all persons away from operator control area while performing adjustments, service or maintenance.

## MAINTENANCE SAFETY

- Before working underneath, raise box blade to highest position, install transport locks, and block securely. Blocking up prevents box blade dropping from hydraulic leak down or mechanical failure on the tractor.
- Keep all persons away from operator control area while performing adjustments, service or maintenance.
- Your dealer can supply genuine replacement cutting edges. Substitute cutting edges may not meet original equipment specifications.
- Do not climb or walk on box blade frame.

## TRANSPORTING SAFETY

- Use a Slow - Moving - Vehicle (SMV) emblem and proper lighting on the tractor when transporting the box blade.
- Do not drive the tractor and box blade over 20 MPH (30 KPH) on the best surface conditions. Reduce speed when going up or down hills and when approaching ditches or corners.
- Always comply with all state and local lighting and marking requirements.
- Check condition of hitch pins and bolts before transporting.
- Keep your box blade in proper working condition. Unauthorized modifications to the box blade may impair the function and affect box blade life. Do not

add excessive weight to box blade. Additional weight could cause frame to fail resulting in loss of control of box blade/tractor during transport.

- Raise box blade to highest position for transport.
- Watch low hanging Overhead Power Lines during transport. Avoid contact as this can cause serious injury or death.

## STORAGE

- Store on a level surface sheltered from the weather.
- Lower box blade to the ground and block to prevent rolling.
- Clean all debris from box blade.
- Coat soil engaging surfaces with a rust inhibitor after cleaning.
- Keep playing children and bystanders away from storage area.



## SAFETY DECALS

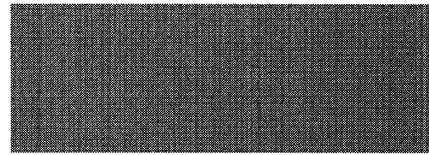
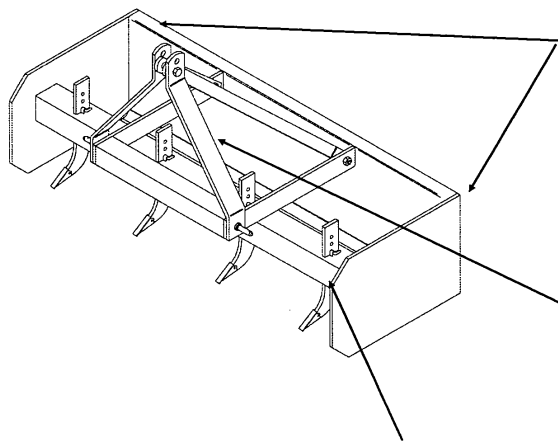


**ATTENTION! BECOME ALERT! YOUR SAFETY IS INVOLVED!**  
**Replace Immediately If Damaged!**

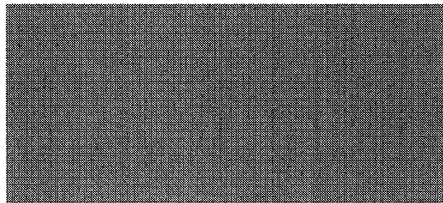
### DECAL LOCATIONS

---

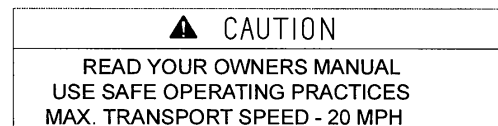
The following safety decals are located on your implement. Read them and follow their instructions. Keep all decals in place and legible. Replace worn or missing decals. Replacement safety decals are available through your dealer. Order by number listed.



029771 - RED REFLECTOR ON  
FRONT OUTSIDE CORNER OF REAR  
MOLDBOARD



029770 - AMBER REFLECTOR ON  
OUTSIDE CORNER OF SCARIFIER  
TUBE



009537 - ON FRONT CROSS MEMBER  
OF FRAME



# OPERATION

Your personal safety is a primary concern in the design and manufacture of our products. Unfortunately, our efforts to provide such equipment can be wiped out by a single careless act of an operator.

In addition to the design and configuration of equipment, hazard control and accident prevention are dependent upon the awareness, concern, prudence and proper training of personnel involved in the operation, transport, maintenance and storage of equipment.

It has been said “**The best safety device is an informed, careful operator.**” We ask you to be that kind of an operator.

The operator must be properly trained. Operators should be familiar with the box blade and tractor and all safety practices before starting operation. Read the safety information on pages 1, & 5 through 6.

This box blade is designed for normal landscape usage.

Recommended blading speed for most conditions is from two to five mph.

Maintain your implement with original repair parts to insure optimum performance.

## MODIFICATIONS

It is the policy of the manufacturer to improve its products whenever possible and practical. We reserve the right to make changes, improvements, and modifications at any time without incurring the obligation to make such changes, improvements, and modifications on any implement sold previously.

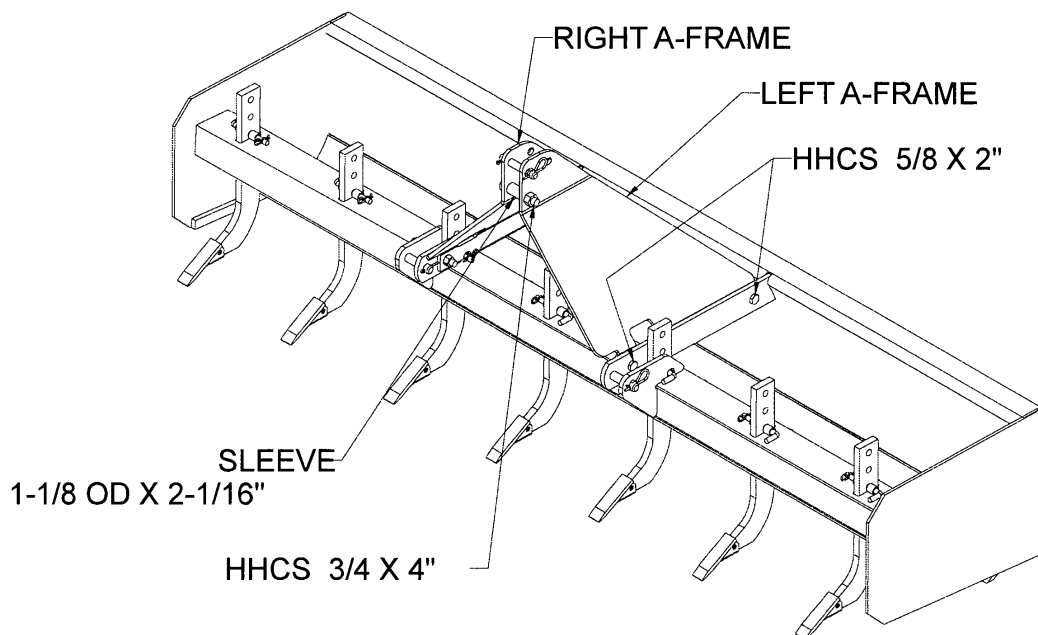
## ASSEMBLY

### General

Your Series 4500 Box Blade is shipped with the three point hitch components knocked down. Assemble parts for each step loosely to insure fit. Use flatwashers with slotted holes. Always use lockwashers unless a lock nut is called for. Tighten hardware after parts are installed according to the torque chart on Page 3. Unless otherwise stated, all hardware is Grade 5. The following assembly steps are given to minimize the need for adjustment after assembly. Remember that **LEFT** and **RIGHT** are determined by standing at the rear of the implement and facing it.

### BEFORE OPERATION

- 1) Tighten all loose hardware using the torque chart. **SEE ASSEMBLY.** Replace any missing hardware. On new machines, all hardware must be rechecked after first few hours of operation.
- 2) Replace any bent or broken parts.
- 3) Refer to your Tractor's Owner's Manual for recommended adjustments and weight distribution.
- 4) Check box blade for signs of wear or damage. Replace if necessary. **SEE MAINTENANCE.**
- 5) Read the **SAFETY** section of this manual to be sure of all precautions.



## ATTACHING

---

### **WARNING**

**Be sure bystanders are clear. Do not stand between implement and tractor. Shut off tractor and engage parking brake prior to dismounting.**

- 1) Back tractor to align three--point lower arms with frame pins.
- 2) Attach left lower link arm to frame first and secure with hairpin cotter.
- 3) Using tractor right leveling crank, align right lower link arm with link pin. Attach arm to link pin and secure with click pin.
- 4) Attach top link between the frame and the tractor with a pin and secure with click pins.

## OPERATION

---

### **Adjustments**

#### **Depth Control:**

The desired operating depth is selected by using the tractor's position control lever. When using position control, the box blade will operate at the same depth, below the line of travel of the tires, until the setting is changed.

It is possible to operate the box blade using draft control (if tractor is so equipped) when operating in the forward direction. When using draft control, the box blade will operate at a depth which will result in a constant load on the tractor. **NEVER** operate with draft control when operating in the reverse direction.

#### **Box Blade Pitch**

The pitch of the box blade can be changed by lengthening or shortening the tractor top link. Lengthening the top link decreases box blade "aggressiveness" and shortening the top link increases box blade "aggressiveness".

Adjust the box blade pitch so that the soil tumbles ahead of the blade. Tumbling soil produces less draft and moves more earth. In general, working in harder soils requires more aggressiveness in order to dig in to the soil surface.

### **Operation**

Your box blade is designed for performing three jobs with little or no adjustment requirement.

- With scarifiers installed at desired depth, scarify compacted surfaces to loosen material for easier grading.
- With scarifiers removed, pull the box blade for grading using the front moldboard.
- With scarifiers removed, operate the tractor in reverse and push the box blade for backfilling using the rear moldboard.

## TRANSPORTING

---

- 1) Use a Slow - Moving - Vehicle (SMV) emblem and proper lighting on the tractor when transporting the box blade.
- 2) Always comply with all state and local lighting and marking requirements.
- 3) Do not drive the tractor and box blade over 20 MPH (30 KPH) on the best surface conditions. Reduce speed when going up or down hills and when approaching ditches or corners.
- 4) Check condition of hitch pins and bolts before transporting.
- 5) Raise box blade to highest position for transport.
- 6) Travel at a speed safe for terrain and other conditions.
- 7) Keep your box blade in proper working condition. Unauthorized modifications to the box blade may impair the function, affect box blade life, and put you at risk. Do not add excessive weight to box blade. Additional weight could cause frame to fail resulting in loss of control of box blade/tractor during transport.
- 8) Use caution and be aware of oncoming traffic and roadside obstructions.
- 9) **DO NOT** transport on public roads at night.

## MAINTENANCE

---

### General

Your box blade is designed for minimum maintenance. By taking a few minutes prior to beginning operations and performing the following maintenance check, you will insure improved performance and longer life of your box blade. Repair or replace any damaged parts before using the box blade.

Keep cutting edge sharp for maximum performance. Reverse the cutting edge to get maximum use from both edges. Replace cutting edge as wear becomes excessive.

The scarifiers have replaceable points and these points should be replaced when they become worn or are lost. To replace points, first remove the old point by placing the shank in a vise and driving the point off with a punch and hammer.

### WARNING

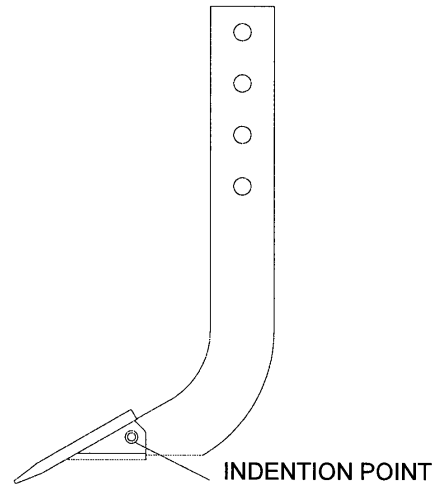
**Use Safety Goggles to prevent eye damage.**

Install new point and indent point on both sides of shank in indentation shown in Figure 3.

## STORAGE

---

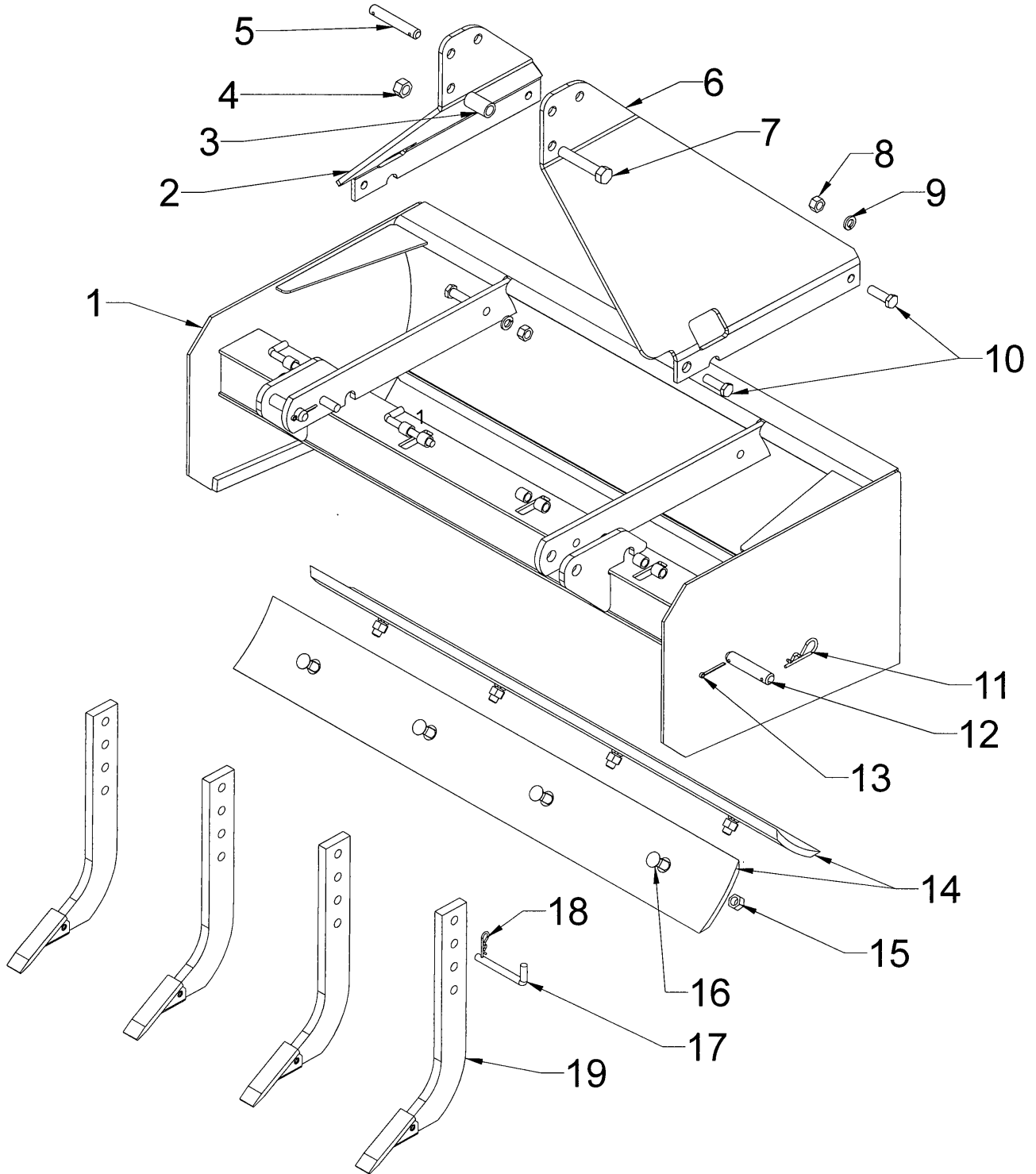
- 1) Store on a level surface sheltered from the weather.
- 2) Lower equipment to the ground and block to prevent rolling.
- 3) Clean all debris from implement.
- 4) Coat soil engaging surfaces with a rust inhibitor after cleaning.
- 5) Keep playing children and bystanders away from storage area.



---

Figure 3 -- Point Replacement

# Box Blade - Component Parts



## Box Blade - Component Parts

Item	Part #	Description	Qty
1	813156	BOX BLADE WELD - 4 FT	---
	813157	BOX BLADE WELD - 5 FT	---
	813158	BOX BLADE WELD - 5-1/2 FT	---
	813159	BOX BLADE WELD - 6 FT	---
	813160	BOX BLADE WELD - 7 FT	---
	813161	BOX BLADE WELD - 8 FT	---
2	813974	A-FRAME/RIGHT	1
3	813178	SLEEVE/UP 3-POINT	1
4	304022	NUT/HEX LOCK 3/4" NC	1
5	814699	PIN/3 POINT UP CAT I	1
	304244	PIN/HAIRPIN COTTER 3/16"	1
	304111	PIN/COTTER 3/16 x 2"	1
6	813975	A-FRAME/LEFT	1
7	303705	HHCS 3/4 x 4" GR5	1
8	304008	NUT/HEX 5/8 NC	4
9	303956	WASHER/LOCK 5/8	4
10	303676	HHCS 5/8 x 2 GR 5	4
11	304244	PIN/HAIRPIN COTTER 3/16"	2
12	814698	PIN/3 POINT LOW	2
13	304111	PIN/COTTER 3/16 x 2"	2
14	902015	CUTTING EDGE--48 INCH	---
	602016	CUTTING EDGE--60 INCH	---
	602022	CUTTING EDGE--66 INCH	---
	902017	CUTTING EDGE--72 INCH	---
	900173	CUTTING EDGE--84 INCH	---
	902024	CUTTING EDGE--96 INCH	---
15	304073	NUT/HEX FLANGE 5/8 - SERRATED	---
16	303942	BOLT/PLOW 5/8 X 1-3/4"	---
17	813170	PIN/BENT	--
18	813171	HAIRPIN COTTER 1/8 X 2"	--
19	813169	SCARIFIER TOOTH ASSY	--
	813168	SCARIFIER TOOTH	--
	813211	BAR/SCARIFIER	--



